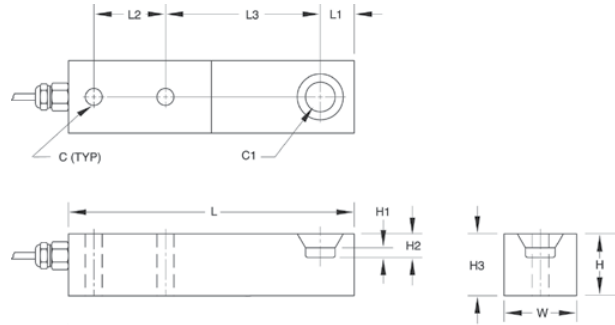


RLSB2 Single-Ended Beam, Alloy Steel with Blind Load Hole, IP67



Picture is a representation of actual product



SPECIFICATIONS

Full Scale Output:
2.0 mV/V ± .07%* (matched)

Bridge Resistance:
350 ohms, nominal

Material/Finish:
High-alloy steel, epoxy coated

Temperature:
Compensated range
15°F to 115°F/-9°C to 46°C

Safe Overload:
150% Full scale

Safe Sideload:
100 Full scale

Rated Excitation:
10V DC (15V maximum)

Nonlinearity:
0.03% Full scale

Hysteresis:
0.02% Full scale

Insulation Resistance:
10000 megohms

Seal Type:
35,000 and 45,000 lb/15,875.7 and
20,411.7 kg, Hermetically sealed, IP67

Cable Length:
35,000-45,000 lb=30ft/9.2m

Cable Diameter:
.200 polyurethane jacket

Cable Color Code:
Green..... + Excitation
Black..... - Excitation
White..... + Signal
Red..... - Signal

Warranty:
Two-year limited warranty

DIMENSIONS

RATED CAPACITY	C	C1	H	H1	H2	H3	L	L1	L2	L3	L4	W
lb/inches												
35,000	1.31	1.50	3.75	.46	.91	2.68	12.50	1.50	3.50	6.25	6.25	2.75
45,000	1.31	1.50	3.75	.46	.87	2.68	12.50	1.50	3.50	6.25	6.25	2.75
kg/mm												
15,875.7	33.3	38.1	95.3	11.7	23.1	68.1	317.5	38.1	88.9	158.8	158.8	69.9
20,411.7	33.3	38.1	95.3	11.7	22.1	68.1	317.5	38.1	88.9	158.8	158.8	69.9

ORDER INFORMATION

LOAD RATING	PART #	PRICE
35,000lb (15,875.7 kg)	17216	Consult
45,000lb (20,411.7 kg)	17217	Consult

INTERCHANGEABLE PRODUCTS

MANUFACTURER	MODEL	CAPACITY
Masstron	ML1435	35,000 lb (15,875.7 kg)
Masstron	ML1437**	35,000 lb (15,875.7 kg)
Masstron	ML1445	45,000 lb (20,411.7 kg)
Masstron	ML1447**	45,000 lb (20,411.7 kg)

**Load cells were originally equipped with spark gaps and stainless steel outer sheath cable

RICE LAKE WEIGHING SYSTEMS

